

Vari-Gage Product Line

Vari-Gage Technical Data Sheet
Part #: VG3300-232-24AC

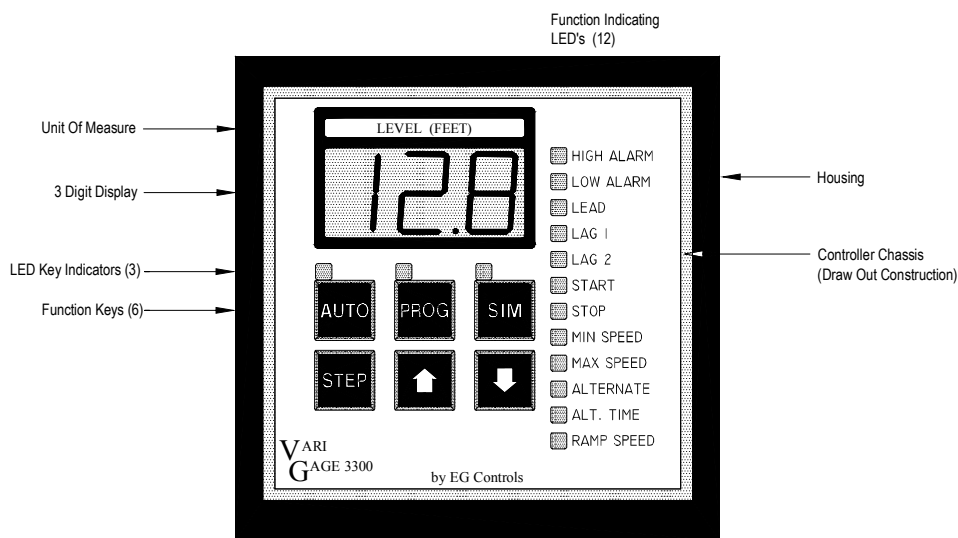
Product Overview

The Vari-Gage 3300 is a level monitoring system capable of controlling up to three pumps with variable frequency drives or measuring wet wells and tank levels. This exceptional versatility has been proven in a broad spectrum of applications ranging from critical control of tank levels to monitoring effluent flow in pumping stations.

The Vari-Gage delivers the control efficiency and productivity needed to meet today's exacting standards. The system uses an internal pressure transducer (15 psi max) or a remote mounted submersible pressure transducer to monitor water and wastewater.

Other models are available to handle a variety of pumping station sizes and needs:

- Digi-Gage 2300 for up to 3 pumps in a duplex or triplex configuration (constant speed)
- Digi-Gage 2400 for up to 4 pumps in a triplex or quadruplex configuration (constant speed)
- Digi-Gage 2600 for up to 6 pumps in a fiveplex or sixplex configuration (constant speed)



Product Features

- ◆ Easy to configure for simplex, duplex or triplex applications
- ◆ Program with only four simple steps!
- ◆ Level simulation by using UP and DOWN arrow keys
- ◆ Performs self-diagnostics upon power up to maintain optimum status
- ◆ Pneumatic connector accepts standard 1/4" OD flex tubing
- ◆ Draw-out chassis construction
- ◆ No wires or pneumatic connections to disconnect
- ◆ Three field selectable inputs: 4-20mA; 0-10V, 0-15 psi
- ◆ NEMA 1 housing
- ◆ Easy to read 1/2" high 7 segment LED
- ◆ Differential level control
- ◆ Level indication (0 – 999 max)
- ◆ 15 discrete LED's for Mode/Status indication
- ◆ EEPROM (electrically erasable programmable read only memory) lasts for 100 years – no battery back-up required
- ◆ Pump up or pump down capability
- ◆ Manual or automatic alternation
- ◆ MODBUS communications capability

- ◆ Lag pump start delay of ten seconds
- ◆ 100% digital technology -- virtually eliminating all sources of drift or error.
- ◆ Works with Scada Express for implementation of remote station monitoring and control.

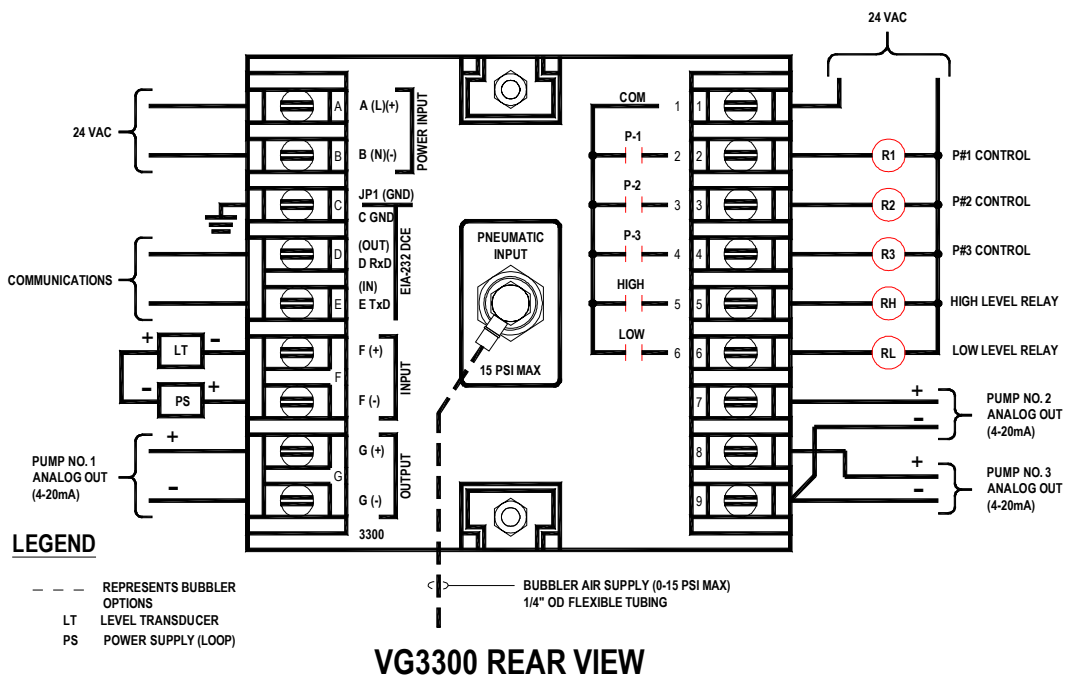
Manufacturer Information

The Vari-Gage is exclusively available from:



11790 Philips Highway
Jacksonville, Florida 32256
Telephone: 904-292-0110 Fax: 904-292-0119
Email: sales@egcontrols.com
Visit our website at www.egcontrols.com

Typical Wiring Diagram for VG3300-232-24AC



Technical Specifications

Input Power:
24VAC, 8.5 VA, 350mA

Environment:
Ambient Temperature (-10°C to 70°C)

Display Range:
Keypad selectable, 0-999, 0-99.9, 0-9.99, 0-.999

Resolution:
0.006%, 14 bit A/D

Input Options:
4-20mA (50 Ω impedance)
0-10 VDC (>150K Ω impedance)
0-15 psi (clean, dry air only)

Memory:
NOVRAM EEPROM 100 Year Memory. No batteries needed

Programming:
Via front panel function keys

Display:
.5" high 7 segment red LED, 3 digit

Housing:
Type 1, NEMA 1

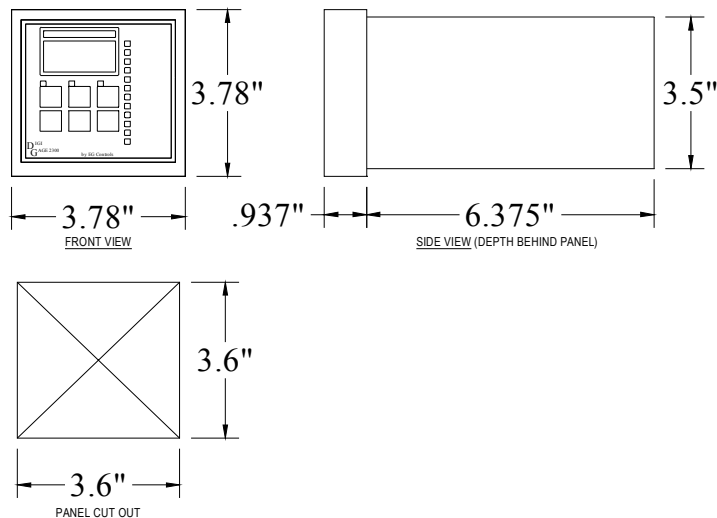
Discrete Outputs:
5 contacts, 3 pumps, 2 alarms (high and low)

Analog Output:
3@4-20mA (600 Ω load max)

Linearity:
+/- .005% analog input; +/- 0.1% pneumatic input

Dimensions

Dimensions: 3.78" x 3.78" x 7.32"
Depth behind panel: 6.4" max
Panel Cutout: 3.6" x 3.6"



EG Controls

JACKSONVILLE, FLORIDA

11790 Philips Highway

Jacksonville, Florida 32256

Telephone: 904-292-0110 Fax: 904-292-0119