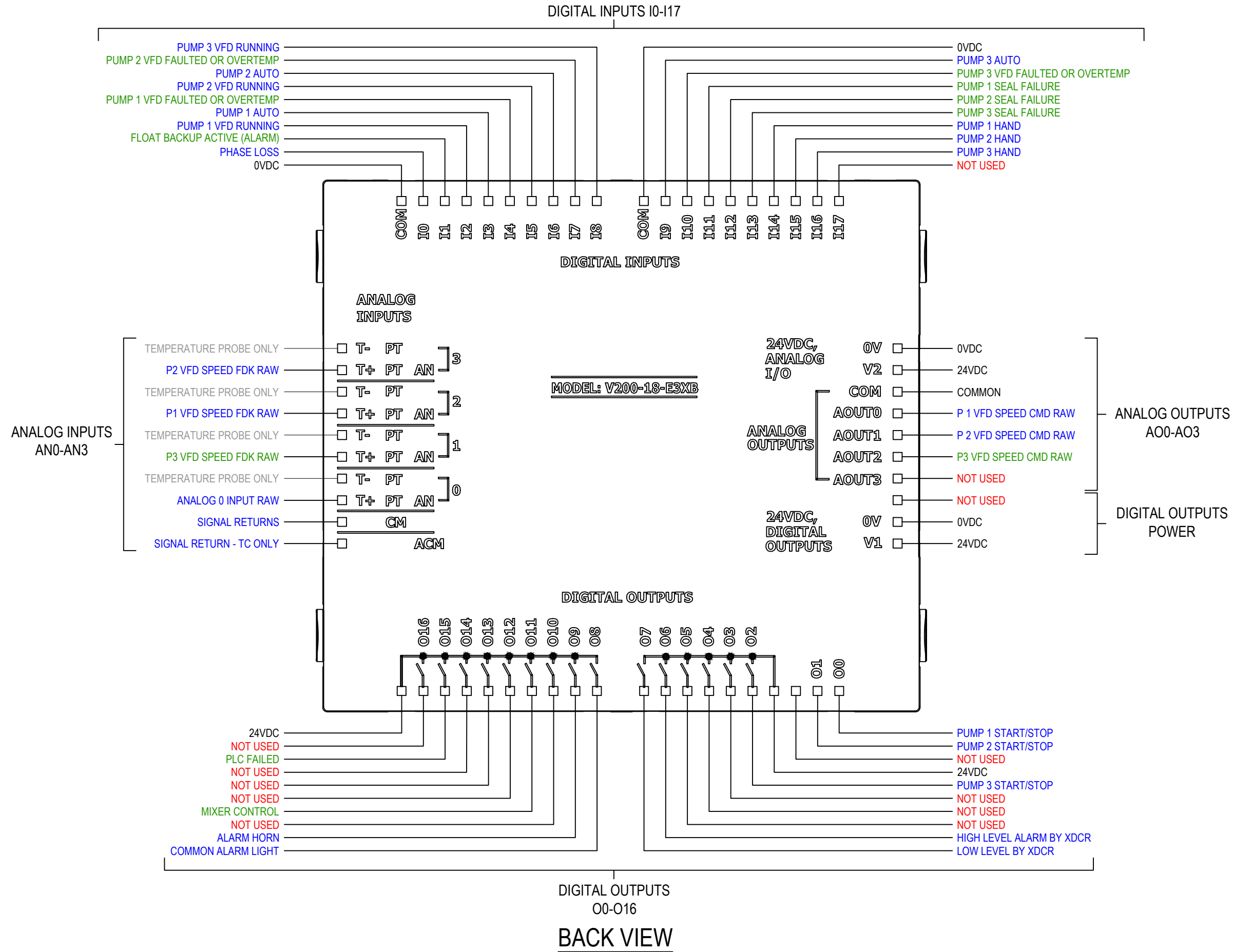


Vari-Gage Mini - Snap In Module

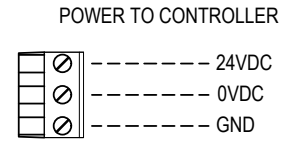
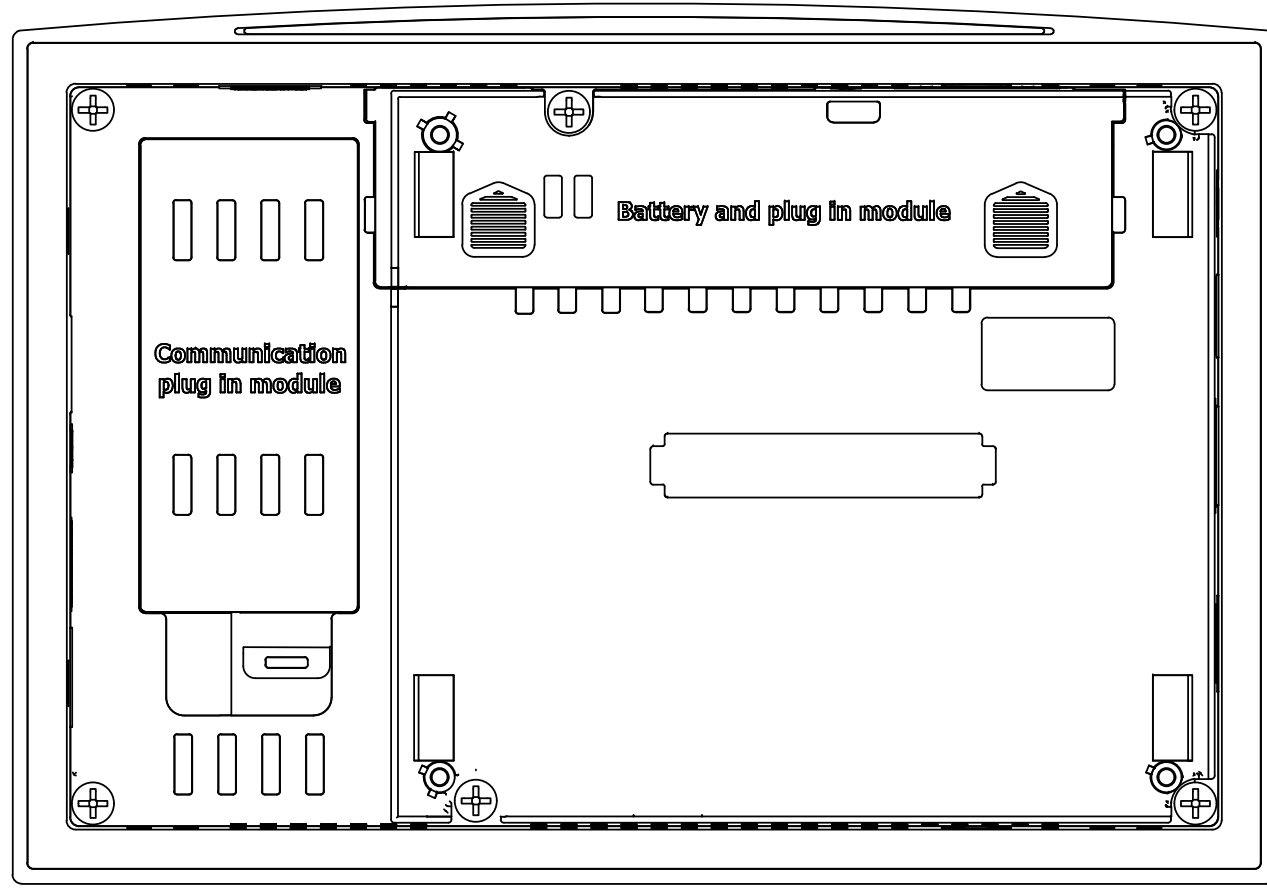


	DESCRIPTION:				
REVISION:	DATE:	BY:	DESCRIPTION:		
00	07/20/21	EM	STANDARD		
DESIGNER:	DATE:	CUSTOMER:	PROJECT:	PANEL TYPE:	SHEET TITLE:
EM	07/19/21	-	VARI-GAGE MINI	STANDARD VG MINI	V200-18-E3XB
DRAFTER:	DATE:	DWG No.:	VERSION:		
EM	07/19/21	1 OF 4	0		
APPROVED:	DATE:	DWG TYPE:	SCALE:		
SY	07/20/21	STANDARD	B		
NTS					

EG Controls
 11790 PHILIPS HIGHWAY
 JACKSONVILLE, FLORIDA 32256
 T: (904) 292-0110 F: (904) 292-0119

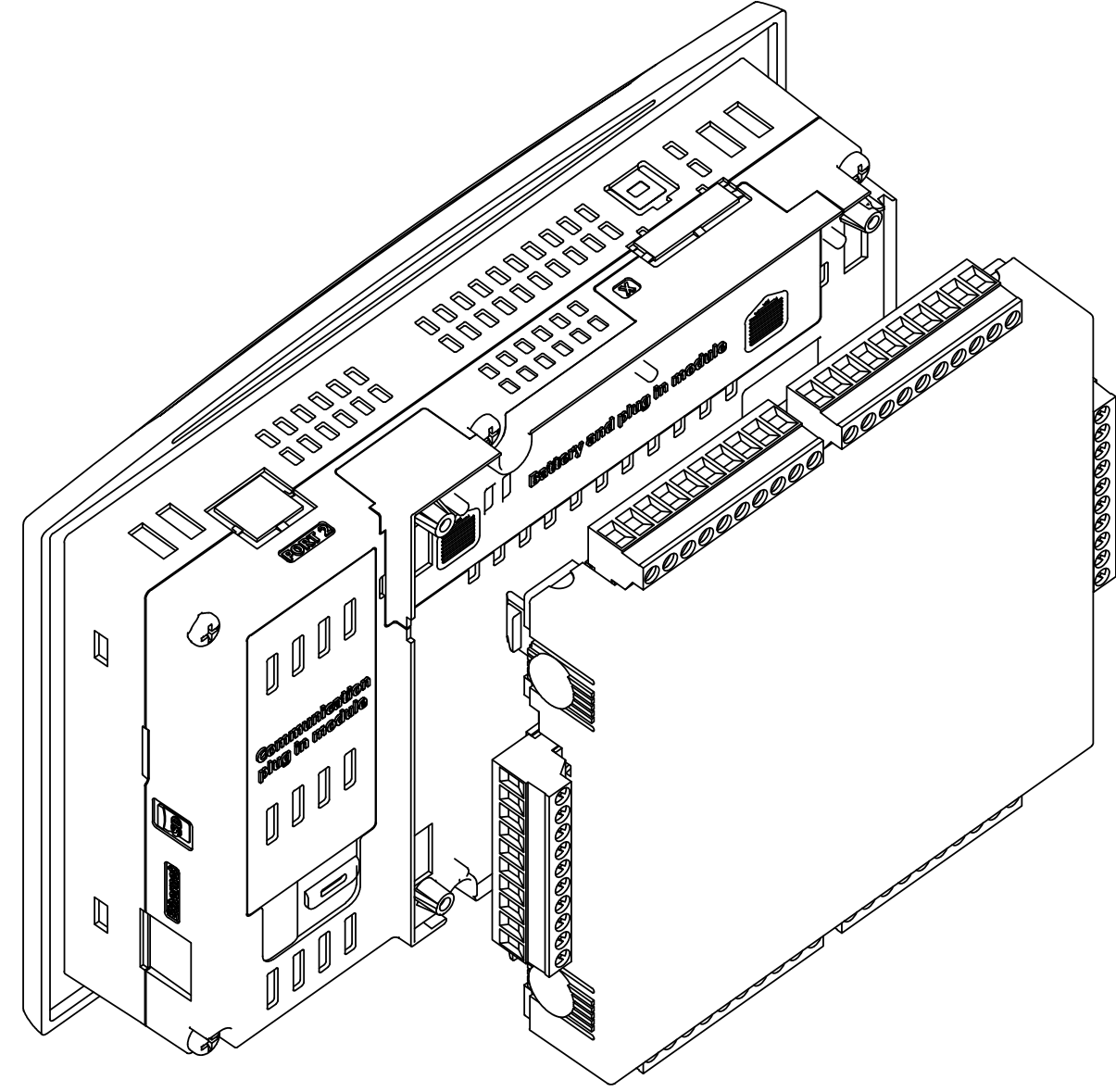
THIS DRAWING IS THE PROPERTY OF EG CONTROLS, INC. AND MUST NOT BE LOANED OR TRANSFERRED TO ANY THIRD PARTY. SALE OR REPRODUCTION OF THIS DRAWING IS PROHIBITED WITHOUT THE WRITTEN CONSENT OF EG CONTROLS, INC.

Vari-Gage Mini - Controller

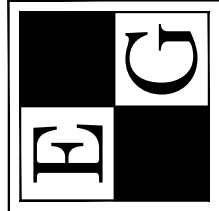


BACK VIEW

Vari-Gage Mini - Controller & Snap In Module



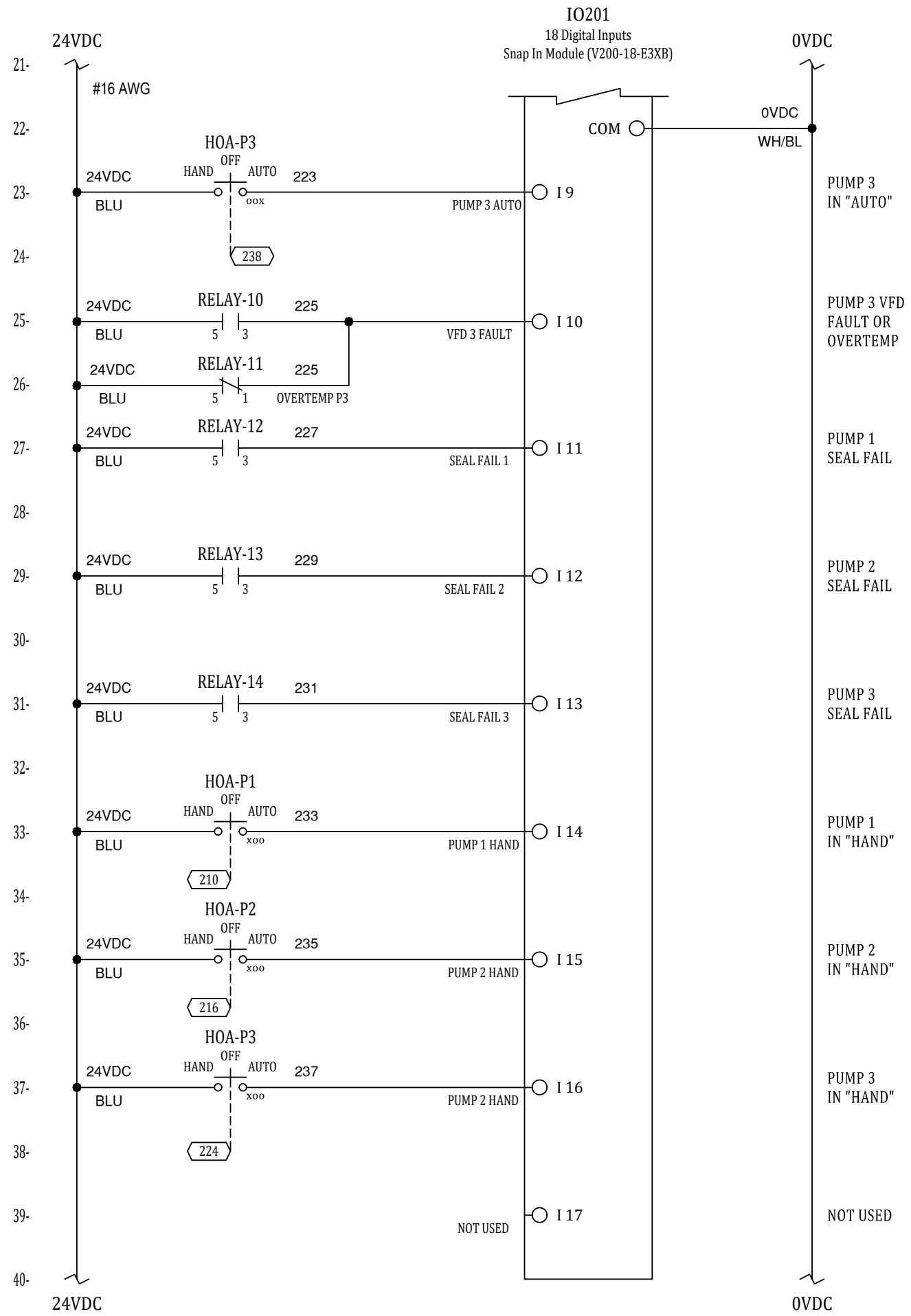
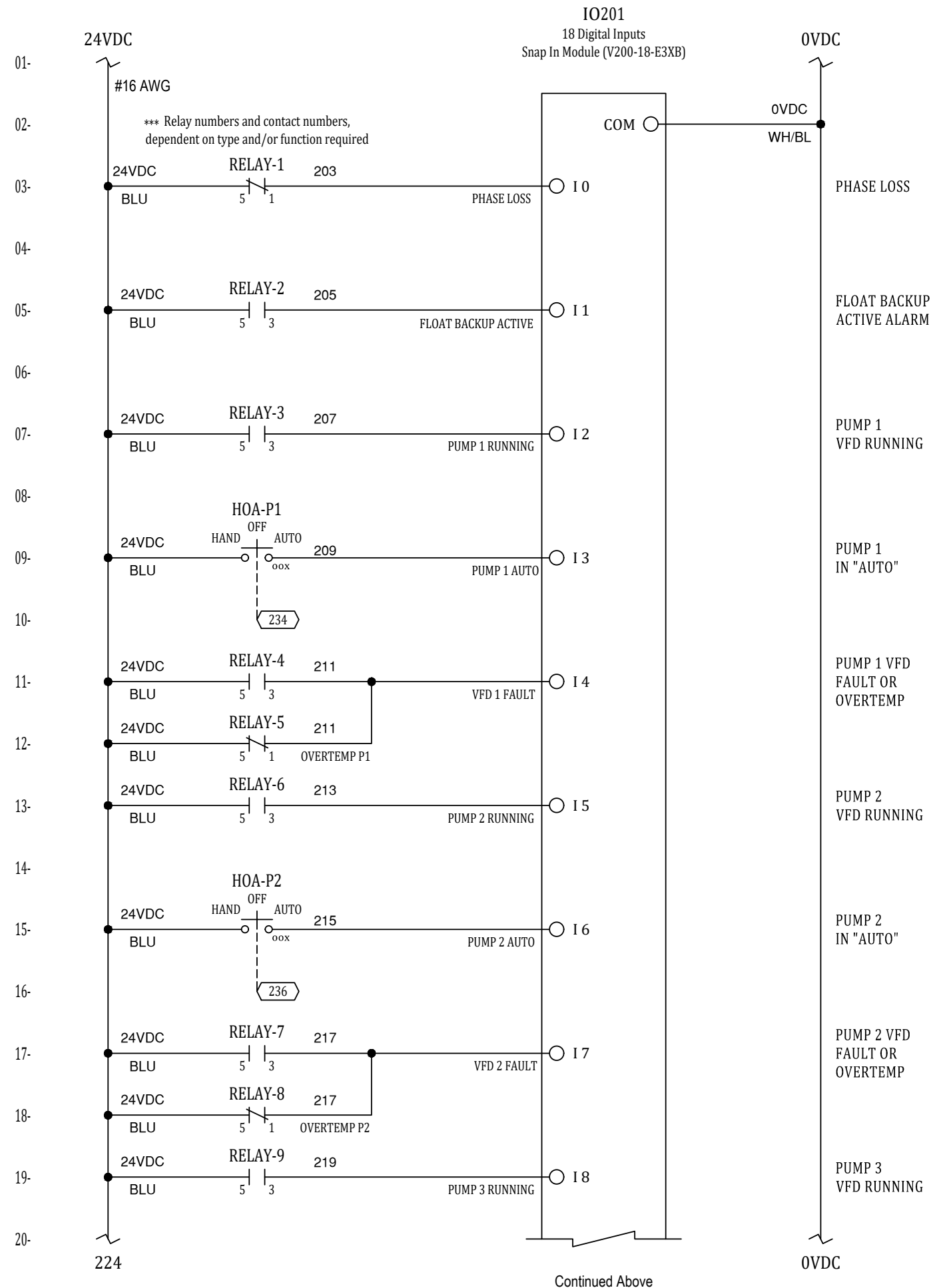
SE ISO VIEW



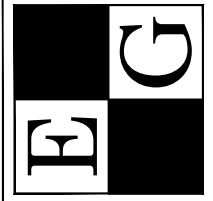
EG Controls
 11790 PHILIPS HIGHWAY
 JACKSONVILLE, FLORIDA 32256
 T: (904) 292-0110 F: (904) 292-0119

THIS DRAWING IS THE PROPERTY OF EG CONTROLS, INC., AND MUST NOT BE LOANED OR TRANSFERRED TO ANY THIRD PARTY. SALE OR REPRODUCTION OF THIS DRAWING IS PROHIBITED WITHOUT THE WRITTEN CONSENT OF EG CONTROLS, INC.

DESIGNER: EM	DATE: 07/19/21	CUSTOMER:	DESCRIPTION:
DRAFTER: EM	DATE: 07/19/21	PROJECT: VARI-GAGE MINI	STANDARD
APPROVED: SY	DATE: 07/20/21	PANEL TYPE: STANDARD VG MINI	
SCALE: N/T'S	SIZE: B	SHEET TITLE: CONTROLLER & SNAP IN MODULE	
	VERSION: 0	DWG No.:	
	DWG TYPE: STANDARD	SHEET No.:	1A OF 4
REV: 00	BY: EM	DATE: 07/20/21	

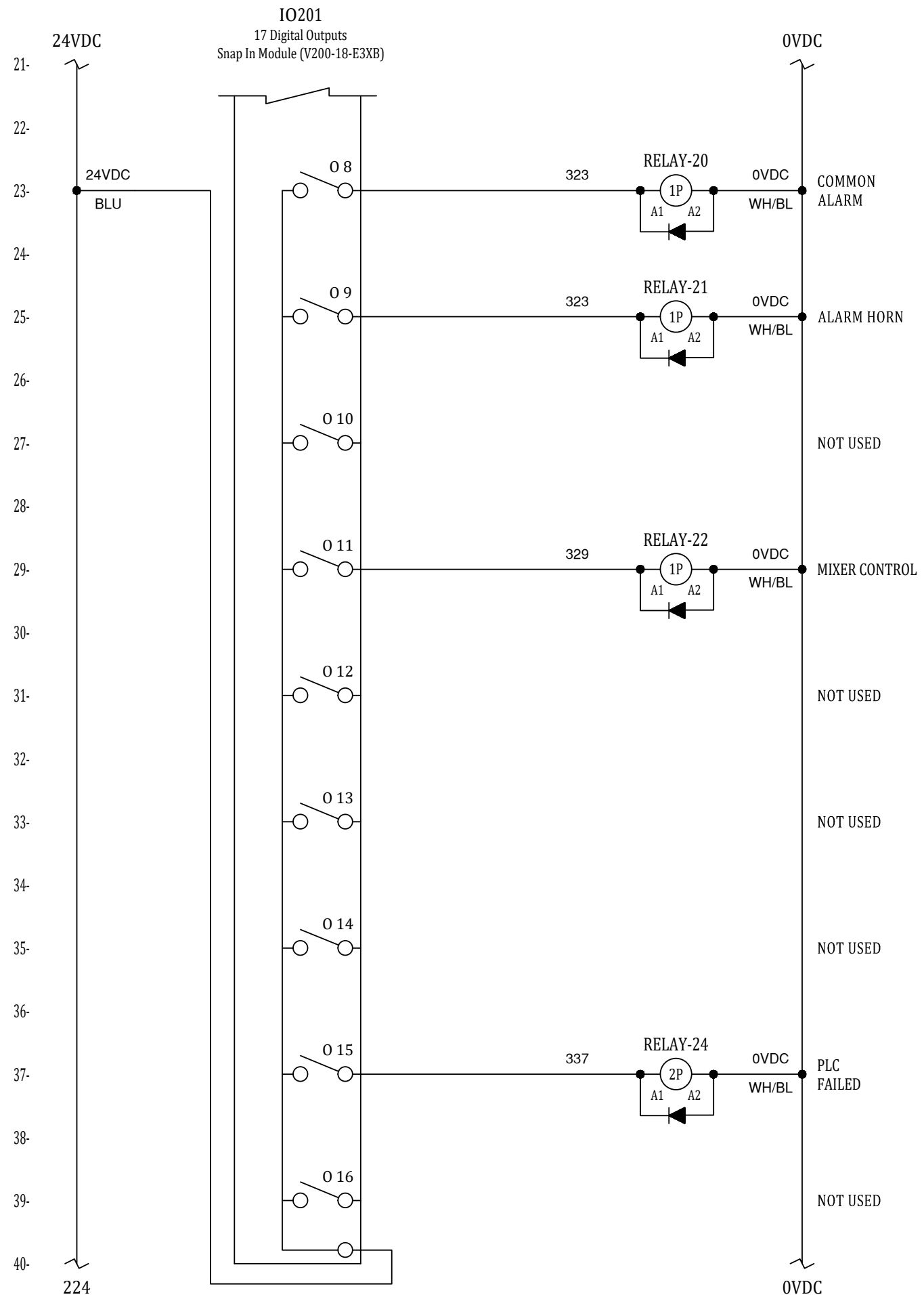
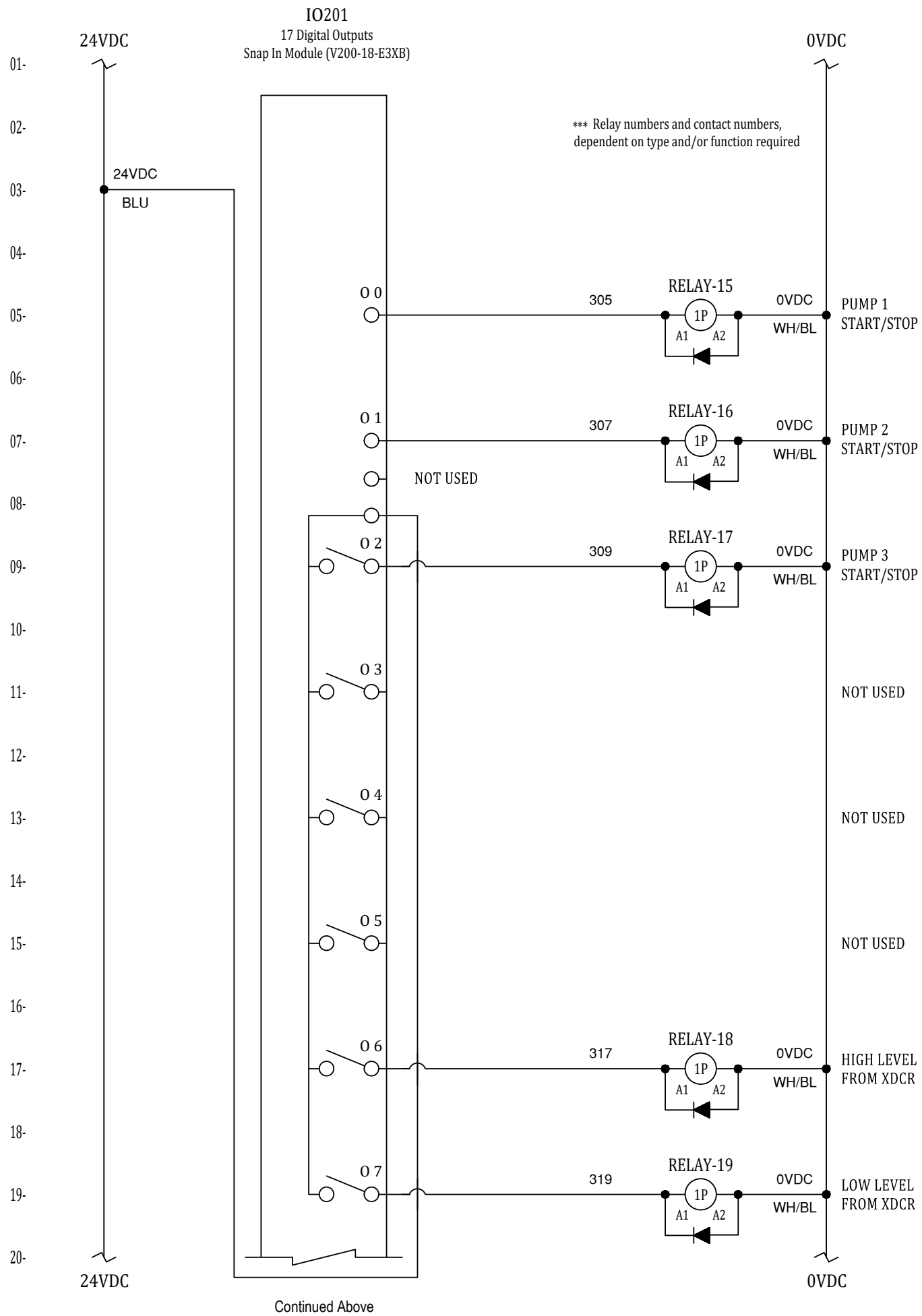


DESCRIPTION:	STANDARD
DATE:	07/20/21
BY:	EM
REV:	00
CUSTOMER:	VARI-GAGE MINI
PROJECT:	STANDARD VG MINI
PANEL TYPE:	INPUTS ELECTRIC SCHEMATIC (E1)
SHEET TITLE:	SHEET No: 2 OF 4
DWG No:	STANDARD
DATE:	07/19/21
DESIGNER:	EM
DATE:	07/19/21
DRAFTER:	EM
DATE:	07/20/21
APPROVED:	SY
DATE:	07/20/21
SCALE:	NTS
SIZE:	B
VERSION:	0
DWG TYPE:	STANDARD



EG Controls
11790 PHILIPS HIGHWAY
JACKSONVILLE, FLORIDA 32256
T: (904) 292-0110 F: (904) 292-0119

THIS DRAWING IS THE PROPERTY OF EG CONTROLS, INC. AND MUST NOT BE LOANED OR TRANSFERRED TO ANY THIRD PARTY. SALE OR REPRODUCTION OF THIS DRAWING IS PROHIBITED WITHOUT THE WRITTEN CONSENT OF EG CONTROLS, INC.



DESIGNER:	EM	DATE:	07/19/21	CUSTOMER:	-
DRAFTER:	EM	DATE:	07/19/21	PROJECT:	VARI-GAGE MINI
APPROVED:	SY	DATE:	07/20/21	PANEL TYPE:	STANDARD VG MINI
SCALE:	NTS	SIZE:	B	VERSION:	0
DWG TYPE:	STANDARD	SHEET No: 3 OF 4		SHEET TITLE: OUTPUTS ELECTRIC SCHEMATIC (E2)	

DESCRIPTION:

STANDARD

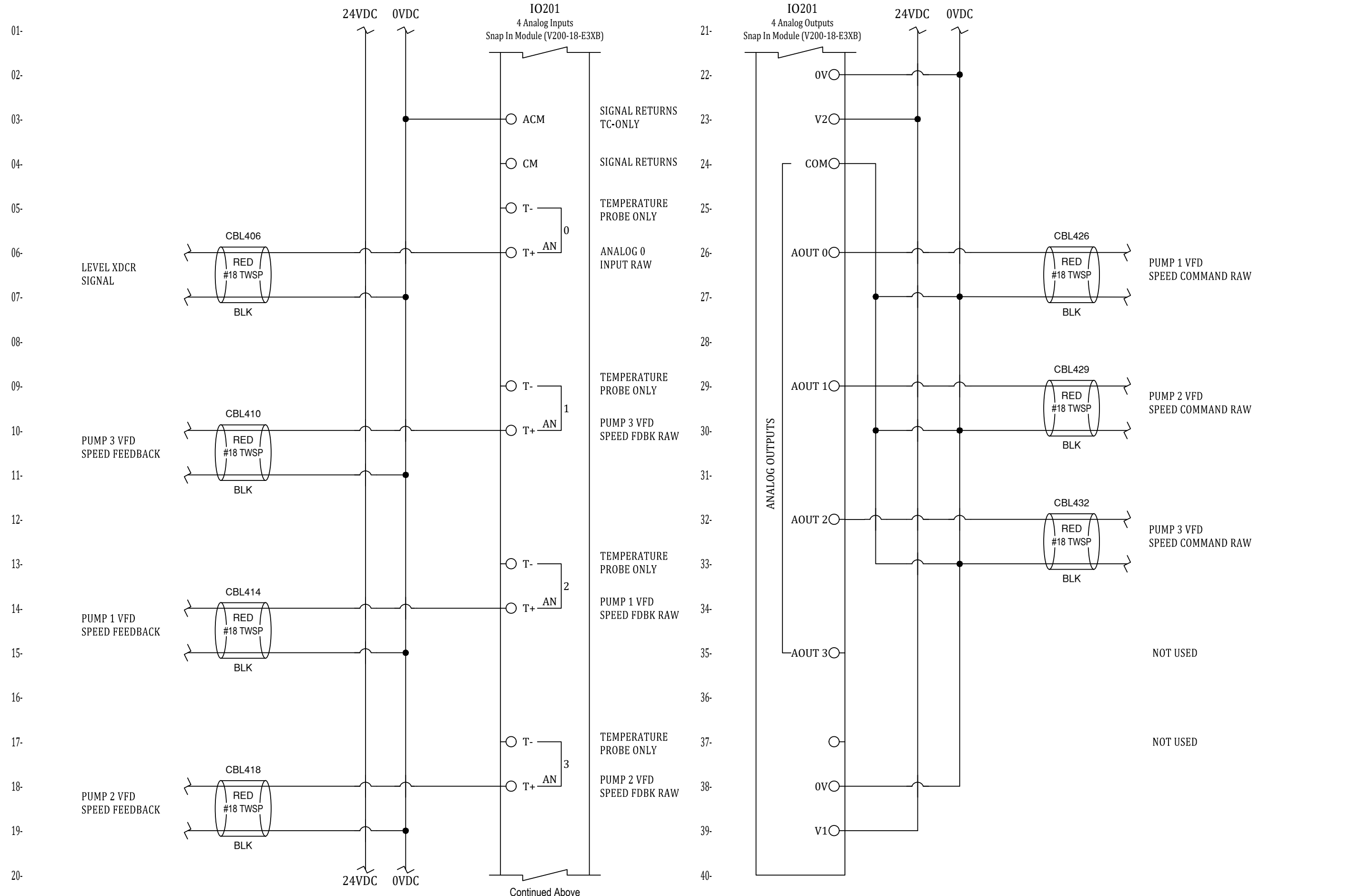
DATE: 07/20/21

BY: EM

REV: 00

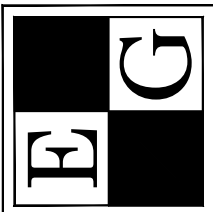
EG Controls
11790 PHILIPS HIGHWAY
JACKSONVILLE, FLORIDA 32256
T: (904) 292-0110 F: (904) 292-0119

THIS DRAWING IS THE PROPERTY OF EG CONTROLS, INC. AND MUST NOT BE LOANED OR TRANSFERRED TO ANY THIRD PARTY. SALE OR REPRODUCTION OF THIS DRAWING IS PROHIBITED WITHOUT THE WRITTEN CONSENT OF EG CONTROLS, INC.



Continued Above

REVISION:	DATE:	DESCRIPTION:
00	07/20/21	STANDARD
BY:	EM	
DESIGNER:	DATE:	CUSTOMER:
EM	07/19/21	
DRAFTER:	DATE:	PROJECT:
EM	07/19/21	VARI-GAGE MINI
APPROVED:	DATE:	PANEL TYPE:
SY	07/20/21	STANDARD VG MINI
SCALE:	SIZE:	VERSION:
NTS	B	0
DWG TYPE:	STANDARD	SHEET TITLE: ANALOG I/O ELECTRIC SCHEMATIC (E3)
		DWG No: -
		SHEET No: 3 OF 4



EG Controls
 11790 PHILLIPS HIGHWAY
 JACKSONVILLE, FLORIDA 32256
 T: (904) 292-0110 F: (904) 292-0119

THIS DRAWING IS THE PROPERTY OF EG CONTROLS, INC. AND MUST NOT BE LOANED OR TRANSFERRED TO ANY THIRD PARTY. SALE OR REPRODUCTION OF THIS DRAWING IS PROHIBITED WITHOUT THE WRITTEN CONSENT OF EG CONTROLS, INC.